

**PS SERIES  
400 Hz - 60 Hz  
FREQUENCY CONVERTER**



**MODEL NUMBER: PS-69-359**

**INPUT:**

Voltage Range	115/200 ± 20 VRMS
Configuration	3-Phase, delta or wye
Frequency Range	360 to 440 Hz
Protection	Circuit breaker, over/undervoltage, loss of phase, overcurrent, and phase rotation protection

**OUTPUT:**

Power	2000 VA
Overload	2400 VA for 5 minutes at 10% duty cycle
Configuration	Single-Phase
Voltage	115 ± 3 VRMS under all conditions of line, load and temperature (120 VRMS optional)
Frequency Regulation	60 Hz ± 0.6 Hz under all conditions of line, load and temperature
Harmonic Distortion	5% maximum
Power Factor Range	0.75 lagging to 1.0
Efficiency	75% minimum
Protection	Overload and short circuit

**\*\*This product was manufactured in a plant whose quality management system is registered to ISO 9001:2008.**

**APPLICATION:**

Since 1960, Unitron has focused on the design and development of reliable solid-state power systems. The PS-69-359 is part of a family of frequency converters, which has seen extensive military and commercial use. The unit provides a precision source of 60 Hz power for the airborne operation of equipment normally used on the ground, or for ground systems where the prime input power is 400 Hz. It operates under a wide range of environmental conditions, and offers complete protection against misapplication of input power and output loading conditions.

**FEATURES:**

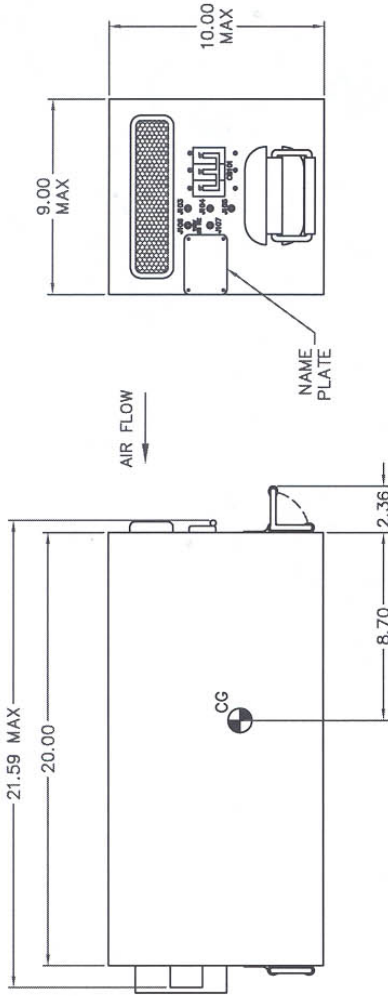
Small Size and Light Weight • Full Protection of Both Input and Output • Wide Input Voltage and Frequency Variation • High Efficiency • Low Audio and Radio Noise Levels • High Reliability • Qualification Tested • Precision Output Voltage • All Silicon Solid State

**MECHANICAL:**

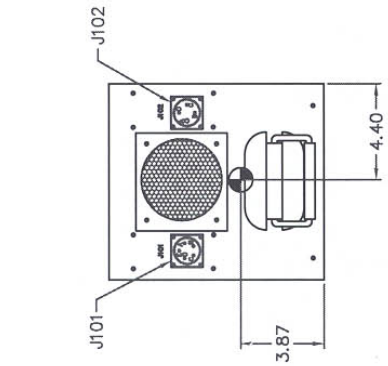
Size	10" height, 9" width, 21.6" depth
Weight	80 lbs. maximum
Mounting	Hard mount
Connectors	Input: MS3102R18-11P Output: MS3102R18-13S
Cooling	Self-contained fan (slow speed for low ambient noise)

**ENVIRONMENTAL:**

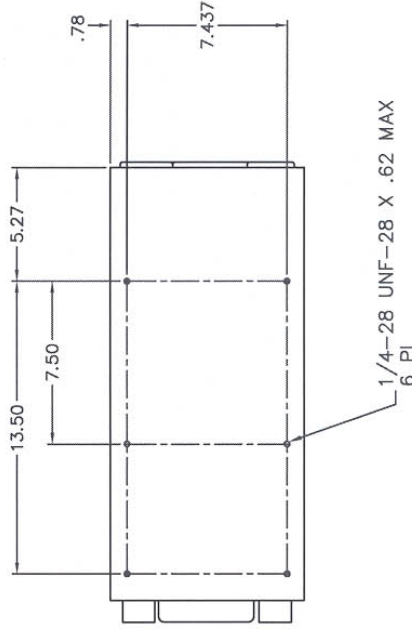
Temperature	-55°C to +71°C operating; -65°C to +85°C storage
Altitude	15,000 ft. operating, 50,000 ft. storage
Shock	MIL-STD-202, Method 205
Vibration	MIL-STD-202, Method 201
Humidity	95% RH at 30°C
RFI	Radiated and conducted per MIL-I-6181D



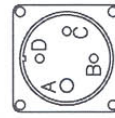
FRONT



BACK



J102

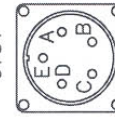


OUTPUT

MS3102R18-13S

PIN	ASSIGNMENT
J2-A	115 VRMS
J2-B	NEUTRAL
J2-C	NEUTRAL
J2-D	SPARE

J101



INPUT

MS3102R18-11P

PIN	ASSIGNMENT
J1-A	PHASE A
J1-B	PHASE B
J1-C	PHASE C
J1-D	NEUTRAL-GND
J1-E	SPARE

FREQUENCY CONVERTER,  
MODEL PS-69-359