



## FoxCart Series 2000B Mobile 28VDC Ground Power Unit



MOBILE CONFIGURATION  
(Shown with and without Safety Riser Option)

The FoxCart Series 2000 mobile GPU automatically provides plug-head performance IAW ISO 6858 within the limits of ISO 461-1 for output cables up to 20 feet in length when functioning as a maintenance, repair, and engine start cart. This 28VDC GPU supports aircraft requiring typical loads up to 600 amps continuous. Engine starting currents up to 2000 amps are provided when operating from a 60Hz source up to 1800 amps when operating from a 50Hz source.

### STANDARD FEATURES:

- IP23
- Input Circuit Breaker
- Indoor / Outdoor Use (Repair Shop / Ramp Area)
- Output Voltage and Current Monitoring
- Front Panel Voltage Adjust (7 Positions)
- Input / Output Cable Handle Storage
- Output Current Meter Scale Select
- Reverse Current Indicator
- Output Voltage on Indicator
- 60Hz, 120V Duplex Utility Outlet (Available only at designated low voltage or high voltage inputs)

### SPECIFICATIONS / STANDARDS (Meets or Exceeds):

ISO 461-1/2  
ISO 1540  
ISO 6858

### INPUT:

Voltage	208V, 220V/230V, 240V/250V, 380V, 440V/480V, 3Ø, -5% +10% 3 or 4 Wire plus safety ground (Specify manual tap setting at time of order)
Frequency	50 or 60Hz (Select one), ± 10%
Phase Rotation	Any
Protection	Overcurrent, Short Circuit
Inrush Current	No greater than 100% of Full Load Current

### ENVIRONMENTAL:

Acoustical Noise	< 65 dBA Maximum at 5 Feet (1.5m)
Temperature Range	-40°C to +55°C
EMI / RFI	Compatible with Aircraft Systems
Relative Humidity	0 - 95%, Non-Condensing
Ingress of Water	IP23

### OPTIONS:

- Alternate 3Ø, 60Hz Input Voltage (Range 575 - 600VAC Available)
- 50, 100, or 150 Foot Input Power Cable (Pigtail or Connector - Specify)
- 20' DC Output Power Cable with Molded Plug Head
- Custom Paint and Decals (Standard Color - Yellow)
- Front Panel Elapsed Time Meter
- 18" Safety Riser (Required for Hangar Operations)
- Rough Terrain Wheel Kit
- 5mph Tow Package (Includes Rough Terrain Wheel Kit)
- Soft Start (Limits Output Current to ~1,100A During Starts)

### MECHANICAL SPECIFICATIONS:

Size:	See Figure 1 for FoxCart See Figure 2 for FoxCart w/ Safety Riser
Weight:	553lbs (251kg) Without Safety Riser
Cooling:	Forced Air

(Weight Varies with Options)

### OUTPUT:

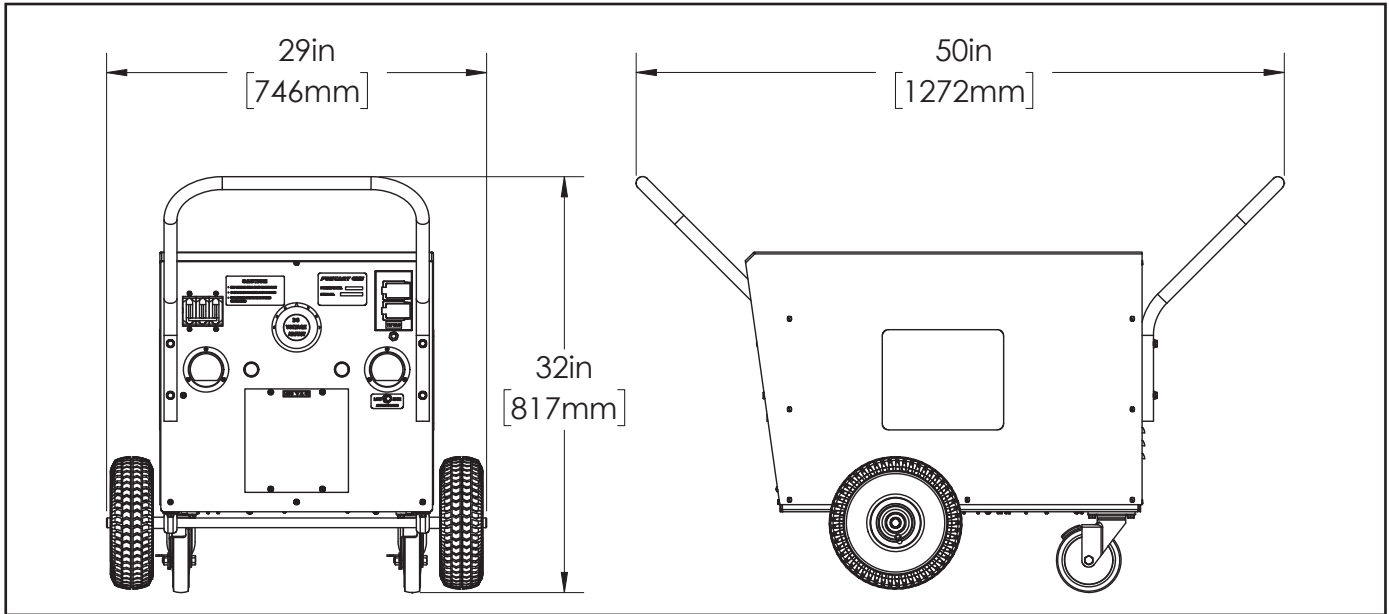
Capacity	
50Hz Config:	900 Amps
60Hz Config:	1000 Amps
Engine Start Capacity	
50Hz Config:	1800 Amps for 10 Seconds
60Hz Config:	2000 Amps for 10 Seconds
Voltage Output	28VDC , 2 Wire, Grounded Negative
Voltage Adjustment	28VDC ±10%

# GENERAL SPECIFICATIONS:

Specifications subject to change without notice

Rev E

**FIGURE 1 - FoxCart 2000B**



**FIGURE 2 - FoxCart 2000B w/ Safety Riser**

