



## FoxAir Series Mobile HVAC Low Profile (LP) or MAX 48,000 BTU or 60,000 BTU



MOBILE CONFIGURATION  
(Shown in Trolley and Trailer Mounted Configuration)

The FoxCart's FoxAir LP and MAX Series is a portable HVAC unit capable of delivering 48,000\* / 60,000\*\* BTU of refrigerated air for pre-cooling or maintenance operations, with a minimum ambient temperature of 35°F (1.67°C). With an additional 18\* / 20\*\* kW 'Heater' option, the FoxAir LP and MAX can create that comfortable climate year round.

### STANDARD FEATURES:

- Sealed Refrigerant System for Unmatched Reliability and Performance
- 1600\* / 2000\*\* CFM Air Movement System
- 14" x 20" x 2" Anti-Microbial Air Filter
- Quick-Connect Collar for Quick and Easy Connection of Air Delivery Hose
- FoxAir LP is Mounted on a Low Profile Trolley
- FoxAir MAX is Mounted on a Trailer with Oversized 205/65-14 Tires (5mph Tow)

### INPUT:

Voltage Range	208 - 240, 1Ø or 3Ø
	430 - 480, 3Ø
	540 - 575, 3Ø
	2 Wire, Plus Safety Ground
Frequency	60 Hz ± 10%
Compressor Rated Load	33* / 39** A at HV Input
	109* / 134** A at LV Input
Safety Disconnect	Circuit Breaker ON / OFF

### ENVIRONMENTAL:

Refrigerant Type / Qty	R410A - 111* / 100** oz
Moisture Protection	IP24
Air Filter	14" x 20" x 2" (Qty 4)
Sound Level	78 dBa

### INDICATORS:

Min Ambient Temp	35°F
------------------	------

(Special Notes)

\*Applies Specifically to FoxAir LP Unit

\*\*Applies Specifically to FoxAir MAX Unit

### OPTIONS:

- 18\* / 20\*\* kW Heater
- Air Delivery Hose (Steel Reinforced 10" Diameter)  
15 or 25 Feet (Specify)  
50 Feet (Requires Extension Coupling)
- Drain Hose Kit - 50' or 100' Feet (Specify)
- Integral Freeze Protection Switch Prevents Condenser Coil Freeze-Up
- 50', 100', or 150' Foot Input Power Cable (Pigtail - Specify)
- Condensation Vu-Thru Tank - 21 Gallons\*\* (Standard on LP)
- Convenience Outlet - 120VAC (Specify Voltage)

### MECHANICAL SPECIFICATIONS:

Size:	See Figure 1 for FoxAir LP See Figure 2 for FoxAir MAX
Weight:	885lbs (2,248kg)* 1,155lbs (2,934kg)**

(Weight Varies with Options)

### OPERATING CONDITIONS:

Modes	Cool or Fan Only
-------	------------------

### CAPACITY RATINGS (OUTPUT):

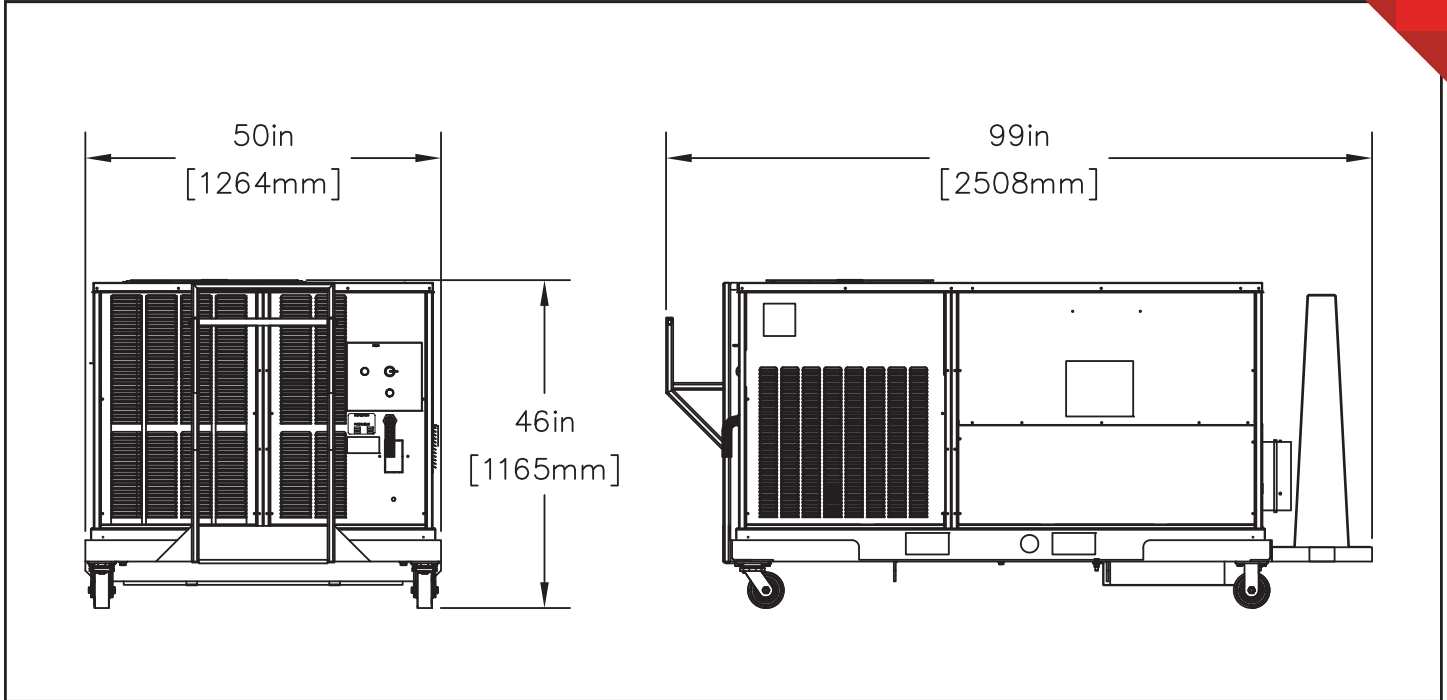
Cooling BTU / Tons	48,000 / 4.0*
	60,000 / 5.0**
Heating (Optional)	18* / 20** kW
Airflow	1600* / 2000** CFM
Energy Efficiency Ratings	SEER 14
	EER 12* / 11.6**

# GENERAL SPECIFICATIONS:

Specifications subject to change without notice

Rev F

**FIGURE 1 - FoxAir LP**



**FIGURE 2 - FoxAir MAX**

