



MOBILE CONFIGURATION
(Shown with and without Safety Riser Option)

FoxCart Series 1600B Mobile 28VDC Ground Power Unit

The FoxCart Series 1600 mobile GPU automatically provides plug-head performance IAW ISO 6858 within the limits of ISO 461-1 for output cables up to 20 feet in length when functioning as a maintenance, repair and engine start cart. This 28VDC GPU supports aircraft requiring typical loads up to 400 amps continuous rating. Engine starting currents up to 1600 amps are provided when operating from a 60Hz source and 1200 amps when operating from a 50Hz source.

STANDARD FEATURES:

- IP23
- Input Circuit Breaker
- Indoor / Outdoor Use (Repair Shop / Ramp Area)
- Output Voltage and Current Monitoring
- Front Panel Voltage Adjust (7 Positions)
- Input / Output Cable Handle Storage
- Output Current Meter Scale Select
- Reverse Current Indicator
- Output Voltage on Indicator
- 60Hz, 120V Duplex Utility Outlet (Available only at designated low voltage or high voltage inputs)

SPECIFICATIONS / STANDARDS (Meets or Exceeds):

ISO 461-1/2
ISO 1540
ISO 6858

INPUT:

Voltage	208V, 220V/230V, 240V/250V, 380V, 440V/480V, 3Ø, -5% +10% 3 or 4 Wire plus safety ground (Specify manual tap setting at time of order)
Frequency	50 or 60Hz (Select one), ± 10%
Phase Rotation	Any
Protection	Overcurrent, Short Circuit
Inrush Current	No greater than 100% of Full Load Current

ENVIRONMENTAL:

Acoustical Noise	< 65 dBA Maximum at 5 Feet (1.5m)
Temperature Range	-40°C to +55°C
EMI / RFI	Compatible with Aircraft Systems
Relative Humidity	0 - 95%, Non-Condensing
Ingress of Water	IP23

OPTIONS:

- Alternate 3Ø, 60Hz Input Voltage (Range 575 - 600VAC Available)
- 50, 100, or 150 Foot Input Power Cable (Pigtail or Connector - Specify)
- 20' DC Output Power Cable with Molded Plug Head
- Custom Paint and Decals (Standard Color - Yellow)
- Front Panel Elapsed Time Meter
- 18" Safety Riser (Required for Hangar Operations)
- Rough Terrain Wheel Kit
- 5mph Tow Package (Includes Rough Terrain Wheel Kit)
- Soft Start (Limits Output Current to ~1,100A During Starts)

MECHANICAL SPECIFICATIONS:

Size:	See Figure 1 for FoxCart See Figure 2 for FoxCart w/ Safety Riser
Weight:	462lbs (210kg) Without Safety Riser
Cooling:	Forced Air

(Weight Varies with Options)

OUTPUT:

Capacity	
50Hz Config:	600 Amps
60Hz Config:	800 Amps
Engine Start Capacity	
50Hz Config:	1200 Amps for 10 Seconds
60Hz Config:	1600 Amps for 10 Seconds
Voltage Output	28VDC , 2 Wire, Grounded Negative
Voltage Adjustment	28VDC ±10%

GENERAL SPECIFICATIONS:

Specifications subject to change without notice

Rev F

FIGURE 1 - FoxCart 1600B

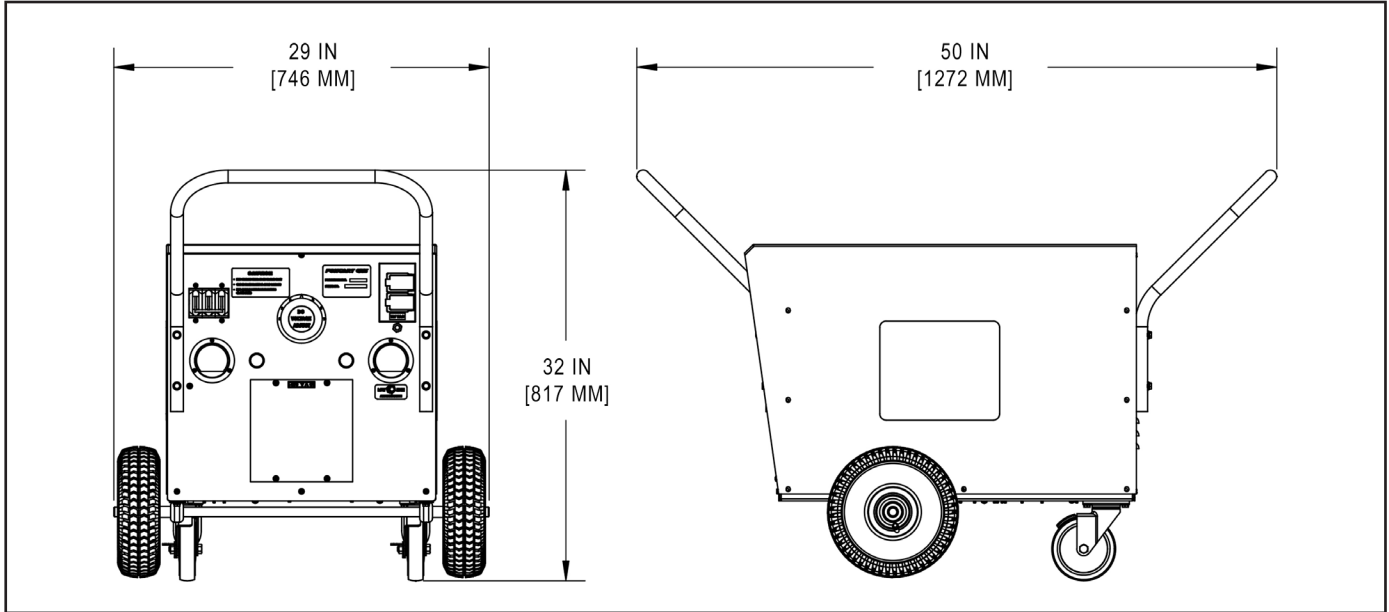


FIGURE 2 - FoxCart 1600B w/ Safety Riser

